



# FPS150R

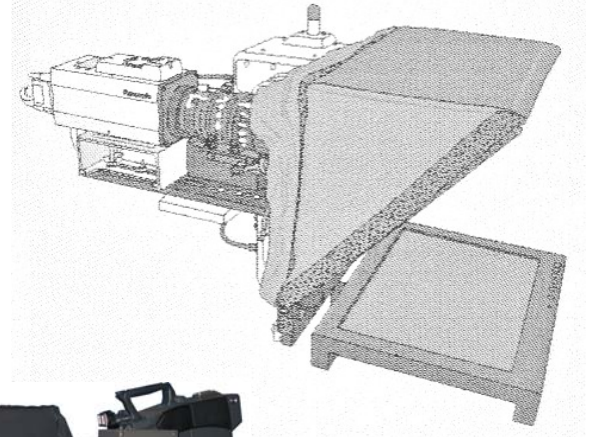


15" On-Camera Prompting System for Robotic Heads

\$4995

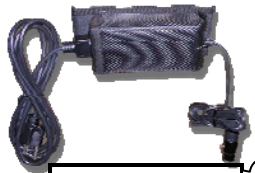
### Features:

- Use with **ANY ENG, Box or DV camera**
- **HD Lens and camera ready**
- Professional grade monitor with standard 450 nits brightness OR 1850 nit HB upgrade
- Use up to 40 ft away
- Unique Fold and Go semi-rigid hood
- Complete system weighs only **14.5 lbs (5.44 kg)**
- **Display any image with built-in image reverse**
- Easy access side mounted professional inputs
- QuickMount system (optional) for simple on and off
- **Low power draw (36W)**



- Includes:**
- 15" (38.1 cm) LCD Flat Panel Prompter Monitor (VGA/Composite/S-Video inputs)
  - Lightweight LensView Assembly (Folding Frame and Hood, Beamsplitter, and Conical Mask)
  - Narrow Mount Assembly (Counterbalancing Plate and Mounting Bracket)

### Popular Accessories:



PWRSLG  
PowerSling for power supply  
**\$30**



RISQR  
DV cam quick release  
**\$150**



RIS020  
2" riser for DV cams  
**\$170**



CBGLCD  
5 lb counter balance  
**\$140**